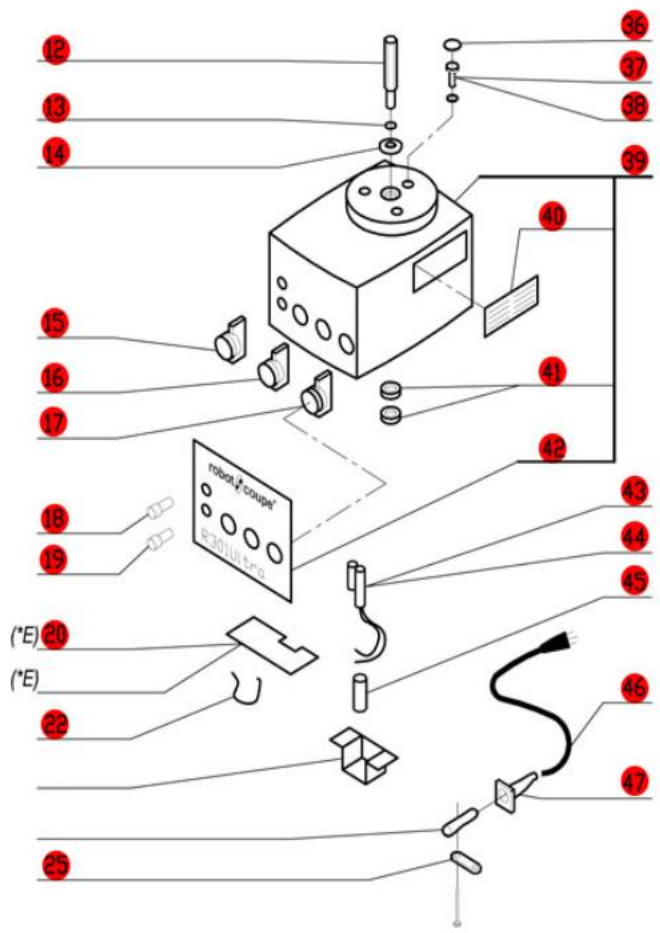
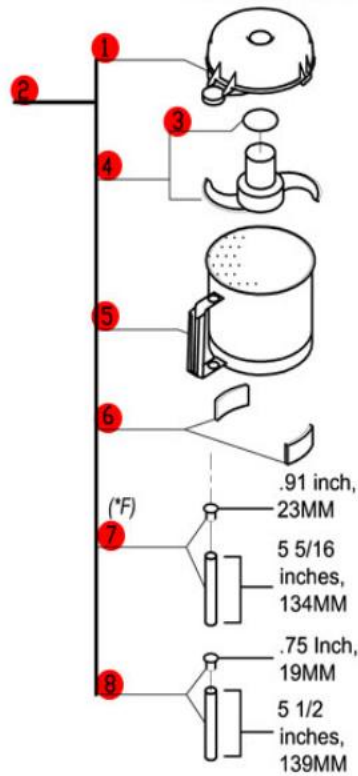


R301 Ultra B

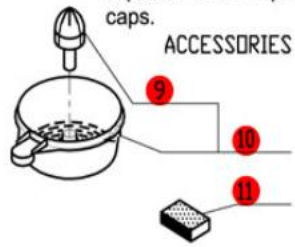
Serial Numbers 91/xxxx
 1- Speed, 120 Volt, 1 Phase, 60Hz., 1/2 HP.
 1725 RPM, 7.2 Amps



(*E)
 Part Number
 R3040U comes
 complete with
 magnetic switch.

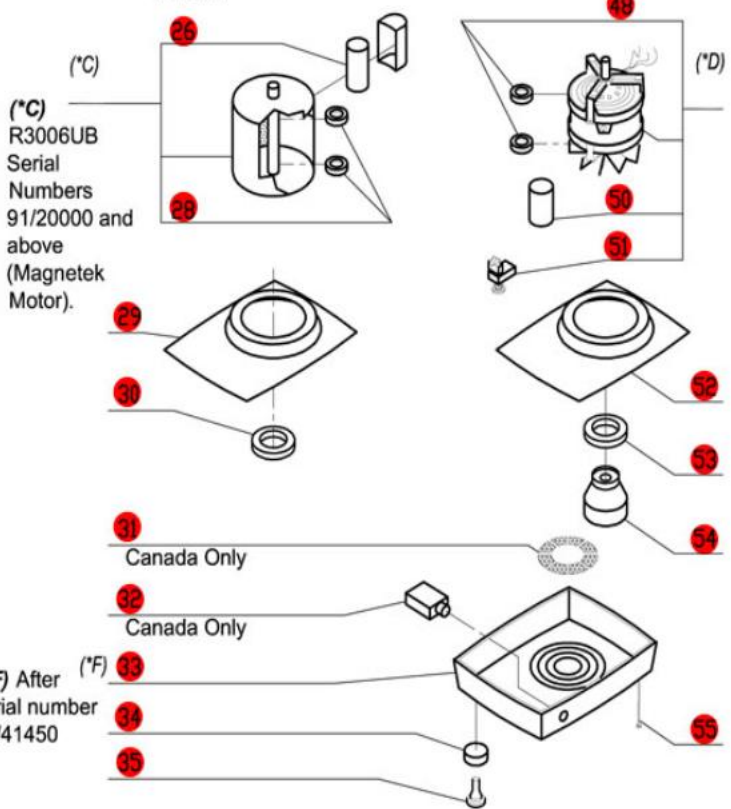
After serial number
 91/30xxx use new
 PC board number
 R3040UA which
 includes magnetic
 switch number
 R3061A.

(*F)
 After serial number
 91/41450
 New bowl rod metal
 bushings R3071UA
 replaces rod with plastic
 caps.



CONVERSION KIT: R3006K
 1-R3006UB-Magnetek Motor
 1-R3004B
 3-R3025A
 2-R1716
 1-R222

(*D) Use conversion kit R3006K
 to replace open frame motor of
 R301U.
 Serial Numbers 91/00001 to
 number 91/20000:



**Click on Red Dot
 OR
 Call us
 800-465-6060**

(*F) After
 serial number
 91/41450

Canada Only
 Canada Only